

cintropur®

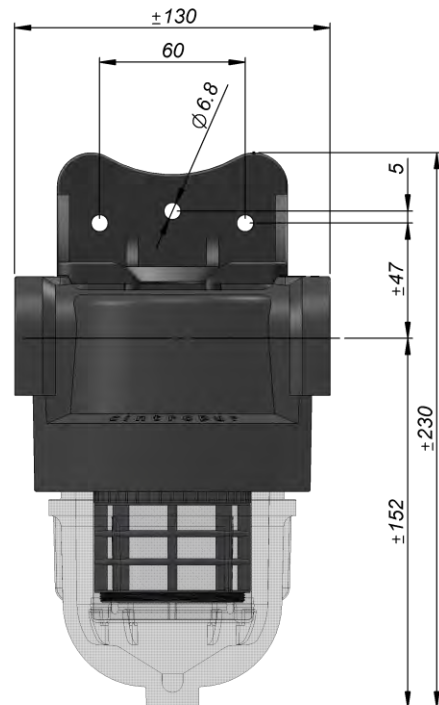
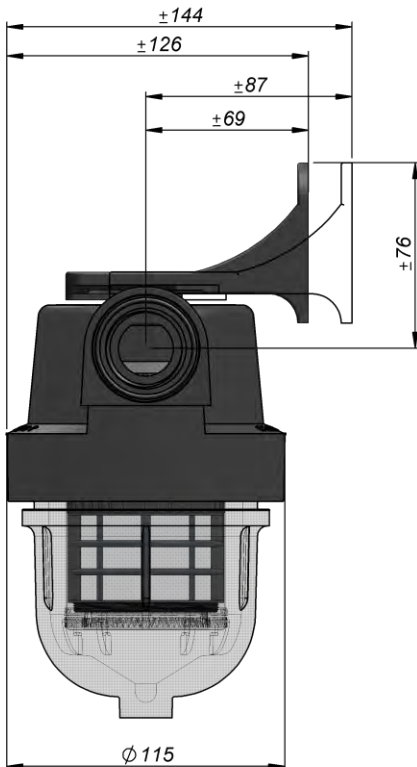
WATER FILTRATION & TREATMENT

Technical Datasheets



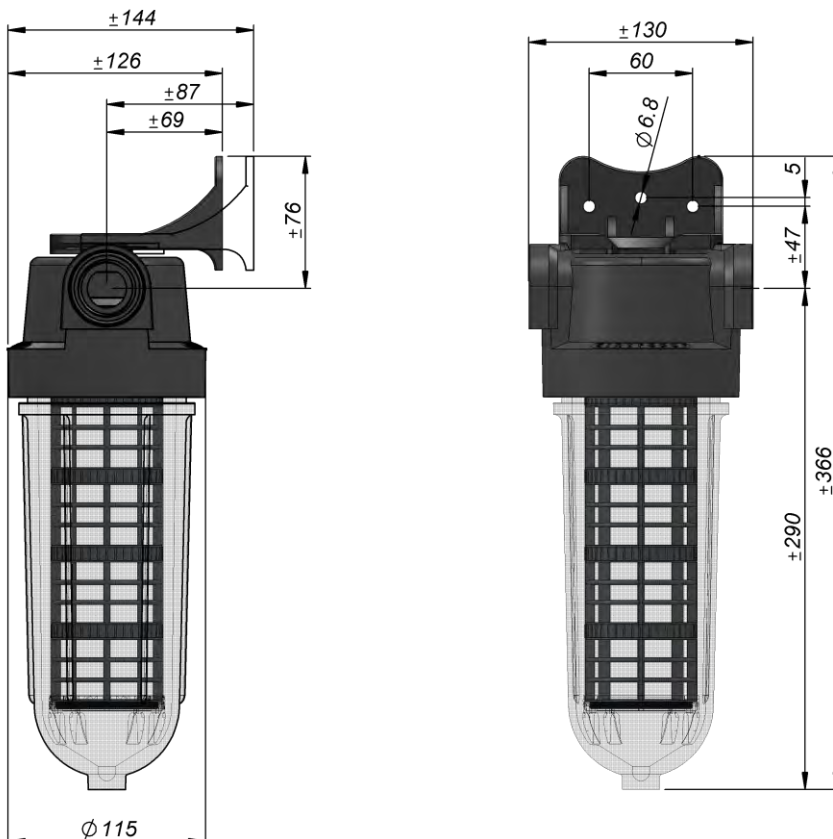


Filter type:	SL160
Connection diameter:	¾ "
Average flow rate (m³/h):	3 at ΔP 0,2 bar
Working pressure (bar):	8
Max. operating pressure (bar):	12
Max. operating temperature (°C):	50
Weight (kg):	0,68 / 0,8 (with packaging)
Packaging in mm (L x W x H):	180 x 140 x 125
Quantity / pallet (units):	336
Filter head:	Polypropylene (PP)
Bowl:	SAN
Filtering support:	PP + 20% GF
Wrench:	ABS
Seals:	O-ring butadiene-acrylonitrile (NBR)
Centrifugal vane + cap:	Polyethylene (PE)
Filtering sleeve:	Polyester
Filtration surface (cm²):	170
Original equipment:	Filtering sleeve 25 µm, wrench, wall fixation in PP + 30% GF
Filtering fineness available (µm): (packs of 5 sleeves)	Non-washable: 5 - 10 - 25 - 50 - 100



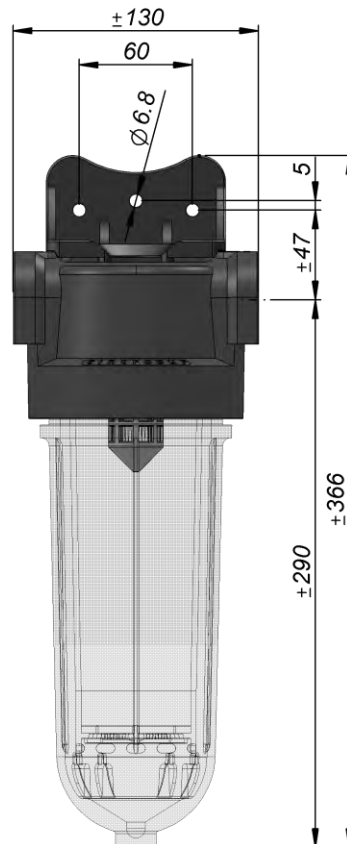
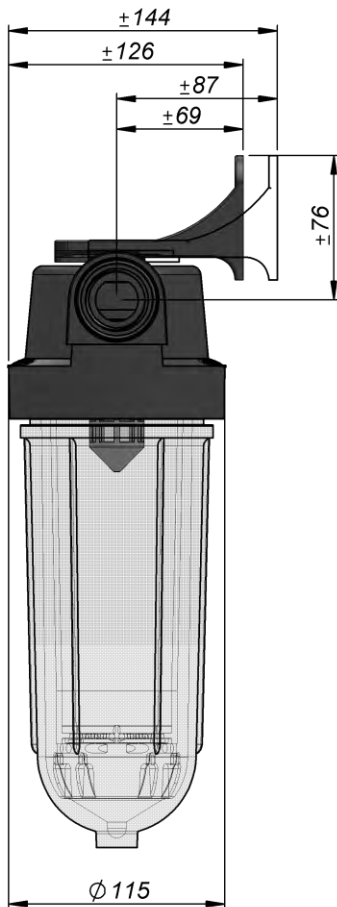


Filter type:	SL240
Connection diameter:	¾" or 1"
Average flow rate (m³/h):	3,5 (¾") – 4,5 (1") at ΔP 0,2 bar
Working pressure (bar):	8
Max. operating pressure (bar):	12
Max. operating temperature (°C):	50
Weight (kg):	0,9 / 1,05 (with packaging)
Packaging in mm (L x W x H):	320 x 130 x 130
Quantity / pallet (units):	171
Filter head:	Polypropylene (PP)
Bowl:	SAN
Filtering support:	PP + 20 % GF
Seals:	O-ring butadiene-acrylonitrile (NBR)
Centrifugal vane + cap:	Polyethylene (PE)
Filtering sleeve:	Polyester (non washable) or nylon (washable)
Wrench:	ABS
Filtration surface (cm²):	440
Original equipment:	Filtering sleeve 25 µm, wrench, wall fixation in PP + 30% GF
Filtering fineness available (µm):	Non-washable : 1 - 5 - 10 - 25 - 50 - 100
(packs of 5 sleeves)	Washable : 150 - 300



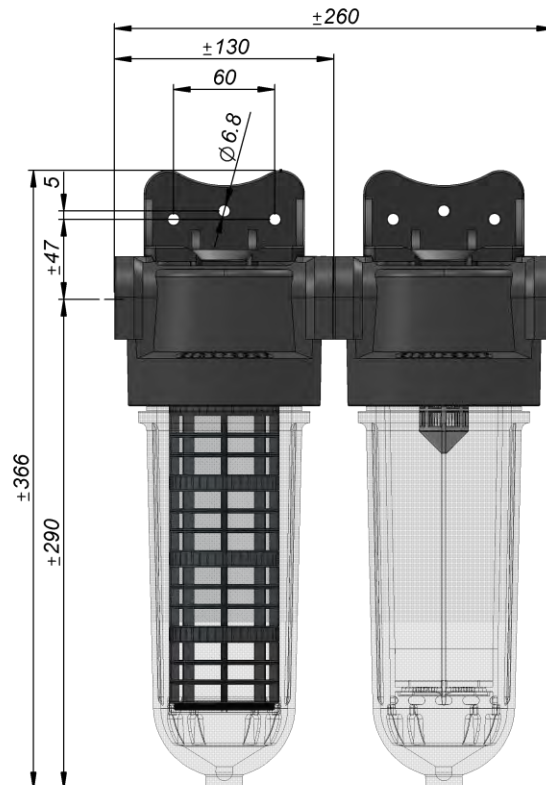
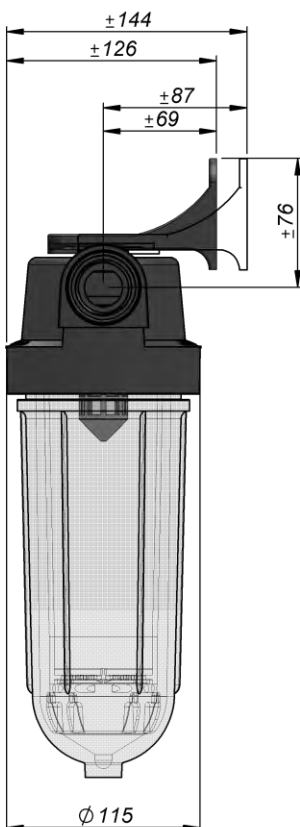


Filter type:	SL240 TE-CTN
Connection diameter:	¾" or 1"
Average flow rate (m³/h):	0,5 at ΔP 0,2 bar
Working pressure (bar):	8
Max. operating pressure (bar):	12
Max. operating temperature (°C):	50
Weight (kg):	1,23 / 1,42 (with packaging)
Packaging in mm (L x W x H):	320 x 130 x 130
Quantity / pallet (units):	171
Filter head:	Polypropylene (PP)
Bowl:	SAN
Wrench:	ABS
Seals:	O-ring butadiene-acrylonitrile (NBR)
CTN container capacity (litres):	0,57
CTN container for activated carbon:	SAN (body) 0,6 mm + PP with 20% GF (cap) 0,3mm
Original equipment:	CTN filled with activated carbon, wrench, wall fixation in PP + 30% GF





Filter type:	SL240 DUO-CTN
Connection diameter:	¾" or 1"
Average flow rate (m³/h):	0,5 at ΔP 0,2 bar
Working pressure (bar):	8
Max. operating pressure (bar):	12
Max. operating temperature (°C):	50
Weight (kg):	1,85 / 2,37 (with packaging)
Packaging in mm (L x W x H):	320 x 261 x 118
Quantity / pallet (units):	72
Filter head:	Polypropylene (PP)
Bowl:	SAN
Wrench:	ABS
Filtering support:	PP + 20% GF
Seals:	O-ring butadiene-acrylonitrile (NBR)
Centrifugal vane + cap:	Polyethylene (PE)
Filtering sleeve:	Polyester (non-washable) or nylon (washable)
Filtration surface + capacity:	440 cm² with sleeve + 0,57L with activated carbon
CTN container for activated carbon:	SAN (corps) 0,6 mm + PP avec 20% GF (couvercle) 0,3mm
Original equipment:	Filtering sleeve 25 μm, CTN filled with activated carbon, wrench, 2 wall fixations in PP + 30% GF
Filtering fineness available (μm):	Non-washable : 1 - 5 - 10 - 25 - 50 - 100
(packs of 5 sleeves)	Washable : 150 - 300





Filter type:	SL240 TRIO-CTN
Connection diameter:	3/4" or 1"
Average flow rate (m ³ /h):	0,5 at ΔP 0,2 bar
Working pressure (bar):	8
Max. operating pressure (bar):	12
Max. operating temperature (°C):	50
Weight (kg):	3,05 / 3,33 (with packaging)
Packaging in mm (L x W x H):	390 x 320 x 118
Quantity / pallet (units):	54
Filter head:	Polypropylene (PP)
Bowl:	SAN
Filtering support:	PP + 20% GF
Seals:	O-ring butadiene-acrylonitrile (NBR)
Centrifugal vane + cap:	Polyethylene (PE)
Wrench:	ABS
Filtering sleeve:	Polyester (non-washable) or nylon (washable)
Filtration surface + capacity:	440 cm ² with sleeve + 0,57L with activated carbon
CTN container for activated carbon:	SAN (body) 0,6 mm + PP with 20% GF (cap) 0,3mm
Original equipment:	Filtering sleeve 100 μm + 25 μm, CTN filled with activated carbon, wrench, wall fixations in PP + 30% GF
Filtering fineness available (μm):	Non-washable : 1 - 5 - 10 - 25 - 50 - 100
(packs of 5 sleeves)	Washable : 150 - 300

